



BrahMos

An India-Russia Joint Venture

BrahMos Aerospace

DRDO, PJ-10 Complex,
Wardha Road, KM 22,
Vill -Bothli, PO-Butibori,
NAGPUR – 441 108 (M S)
Ph. No: 91-7103- 282703 / 282705
Fax No:91-7103- 297202 / 202517

Ref: BMN/MM/ENQ/26-27/006

Date: 05/05/2026

TENDER ENQUIRY/RFQ

SUPPLY OF FORKLIFT ATTACHMENT AT BAPL NAGPUR

1. BrahMos Aerospace, Nagpur invites Single Bid (Techno-Commercial) **sealed tenders** for **Manufacturing and Supply of Forklift Attachment as per manufacture drawing provided (suitable for max. Fork size 130 x 60 mm) at BAPL, Nagpur.**

DUE DATE FOR SUBMISSION OF TENDER: 25 May 2026

2. **Delivery Terms: Free door delivery at BrahMos Aerospace, Nagpur within 45 days** of from the date of PO. Packing & Transportation in supplier's scope.
3. **Scope of Work:** The **Forklift Attachment** to be fabricated as per technical specifications and attached manufacturing schematic drawing at **Annexure-I (02 Pages)**. **The drawing duly stamped and signed** by bidder to be sent along with technical bid. The vendor shall also provide the complete set of documents viz material test certificates, dimensional inspection certificates, Welding setup reports, NDT reports and heat treatment certificate (if any), surface Treatment certificate etc. All raw materials, Welding, NDT, machining, stamping, marking, surface treatment, heat treatment (if any), Sand/shot blasting and Painting (2 coats) with primer as per BAPL requirement will be in supplier's scope. **Load test report to be submitted by the vendor.**
4. The quotation should clearly indicate price, GST, **HSN code (8-digit code)**, validity, delivery period, any other terms conditions (if any). Supplier GST registration number must be provided with quotation.
5. **Payment terms:** Our organisation being a Joint venture under Ministry of defence generally offers payment terms of **100% payment by RTGS/Cheque within 45 days after delivery and satisfactory acceptance** and against submission of **GST Invoice and other related documents.**
6. **Regret to submit quotation:** In case the supplier regrets to submit quotation, the documents sent with the enquiry are to be returned in as issued condition without any duplication and/or photocopying. In case the vendor is unable to quote; vendor shall send a regret letter/ email without fail. **In case of non-receipt of quotations or regret letters/emails for three consecutive enquires, such vendor is liable to be removed from our vendor list.**
7. **Liquidity damages:** LD will be applicable at the rate of 0.5% per week of delay or part thereof subject to maximum of 10% of order value if not delivered as per the schedule.
8. **Warranty:** 01 year from the date of acceptance by BAPL.

Regd. Office: 16, Cariappa Marg,
Connaught Place, Delhi Cantt-110 010, INDIA
Ph: 91-11-33123000, Fax: 91-11- 2568 4827.



Email: mm.ngp@brahmos.com, varaprasad.beram@brahmos.com
Website: www.brahmos.com

CIN – U74899DL1995PTC074334



BrahMos
An India-Russia Joint Venture

BrahMos Aerospace

DRDO, PJ-10 Complex,
Wardha Road, KM 22,
Vill -Bothli, PO-Butibori,
NAGPUR – 441 108 (M S)
Ph. No: 91-7103- 282703 / 282705
Fax No:91-7103- 297202 / 202517

9. The **Single Bid System techno-commercial tender on your company letterhead** should be submitted in **sealed cover/envelop** super-scribed as **“Tender for Manufacturing and Supply of Forklift Attachment at BAPL, Nagpur site”**, to **The Chief General Manager, BrahMos Aerospace Pvt. Ltd. Nagpur, on or before 25 May 2026, 17:00 hrs.**

Tender should not be addressed to any Individuals name but only by designation to:

The Chief General Manager

BrahMos Aerospace Pvt Ltd.

DRDO, PJ-10 Complex, Near Mohagaon bus stop,

KM 22, Wardha Road, Village: Bothli, PO: Butibori, Nagpur -441108.

10. **Validity of offer:** The offers for supply shall be kept open for acceptance for a **period of 90 days (ninety days) from the date of opening of the tender.** Offers with less validity may be summarily rejected by us.

11. The tender shall be submitted in accordance with these instructions and any tender not confirming the instructions as above is liable to be rejected. These instructions shall form the part of the tender and contract.

12. This RFQ is being issued with no financial commitment and BrahMos Aerospace Pvt Ltd (also referred as “BAPL” or “Buyer”) reserves the right to change or vary any part thereof or foreclosure the procurement at any stage. BAPL also reserves the right to disqualify any vendor at any stage, should it be necessary on account of security consideration. Chief General Manager, BrahMos, reserves the right to reject any tender/bid wholly or partly without assigning any reason at any stage.

13. GENERAL TERMS AND POINTS TO BE NOTED/ COMPLIED/ BINDING ON BIDDERS BY DEFAULT ON SUBMITTING THE BIDS:

(a) The due date of submission of tender may be extended by BrahMos which shall be announced as corrigendum to original tender. Validity of bids shall be deemed to be extended accordingly till the extension period is within the validity period sought.

(b) BRAHMOS may decide to scrap the tender/re-float the tender without assigning any reasons thereof before any LOI/PO is committed. All amounts shall be indicated both in words as well as figures.

(c) If, in the price structure quoted there is discrepancy between the unit price and the total price (which is obtained by multiplying the unit price by the quantity), the **unit price shall prevail** and the total price corrected accordingly, unless in the opinion of the purchaser there is an obvious misplacement of the decimal point in the unit price, in which case the total price as quoted shall govern and the unit price corrected accordingly.

(d) If there is an error in a total corresponding to the addition or subtraction of subtotals, the **subtotals shall prevail** and the total shall be corrected.





BrahMos
An India-Russia Joint Venture

BrahMos Aerospace

DRDO, PJ-10 Complex,
Wardha Road, KM 22,
Vill -Bothli, PO-Butibori,
NAGPUR – 441 108 (M S)
Ph. No: 91-7103- 282703 / 282705
Fax No:91-7103- 297202 / 202517

Annexure-I

(BMN/MM/ENQ/26- 27/006 dt 05 May 2026)

FIX TYPE JIB ATTACHEMENT FOR FORKLIFT

Technical details:

Fix type jib attachment for forklift is to be designed and manufactured as an affordable general-purpose jib able to manoeuvre in confined spaces (like explosive van loading compartment) and to handle large un palletized loads, with a 2.2 metre reach fully extended. This slip-on forklift attachment is to be held to forklift by a safety chain latching arrangement. Forklift will be of Godrej Make 3 Ton capacity with fork size 130x60mm. The jibs overall length is 2.25 mtrs. Proper lifting hooks (removable type with D-shackles) to be provided along with forklift attachment for all positions. Adjustable hook location to be provided as per drawing.

The standard finish should be surface treatment (sand/shot blasting) plus primer plus finish paint (safety yellow enamel).

Specifications: Safe working load (SWL) as per below table

	Unit	A	B	C	D
Length Position (location)	mm	1800	1365	930	495
Lifting Capacity (SWL) per position	Kg	500	700	1000	1500
Fork Opening	mm			290	
Fork Pockets	mm			145 X 85	
Overall Size (approx)	mm			2250 x 550 x 210	
Net Weight (approx)	Kg			125	

Manf. Drawing: Schematic Drawing in enclosed Additional ribbing may be provided by manufacturer as per requirement. Material of construction Mild steel good quality as per IS standard.

Regd. Office: 16, Cariappa Marg,
Connaught Place, Delhi Cantt-110 010, INDIA
Ph: 91-11-33123000, Fax: 91-11- 2568 4827.



Email: mm.ngp@brahmos.com, varaprasad.beram@brahmos.com
Website: www.brahmos.com

CIN – U74899DL1995PTC074334



BrahMos

An India-Russia Joint Venture

BrahMos Aerospace

DRDO, PJ-10 Complex,
Wardha Road, KM 22,
Vill -Bothli, PO-Butibori,
NAGPUR – 441 108 (M S)
Ph. No: 91-7103- 282703 / 282705
Fax No:91-7103- 297202 / 202517


(e) If there is a discrepancy between words and figures, the **amount in words shall prevail**, unless the amount expressed in words is related to an arithmetic error, **in which case the amount in figures shall prevail** subject of (c) and (d) above.

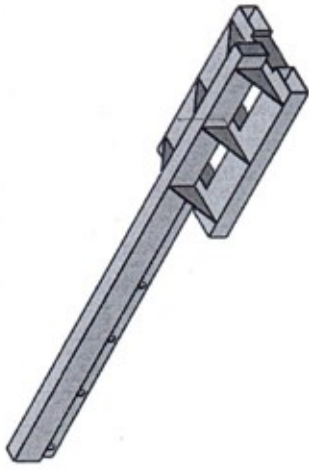
(f) If there is **such discrepancy in an offer**, the same shall be conveyed to the bidder with target date up to which the bidder has to send his acceptance on the above lines and if the bidder does not agree to the decision of the purchaser, the bid is liable to be ignored.

14. Any Clarification may be sought from undersigned on a working day either on telephone or by personal visit to the site (**Contact Person for this tender: Mr. Kaustubh Kulkarni, SSM (MM), (LL 07103-282-803, Mob: 8484837010).**)

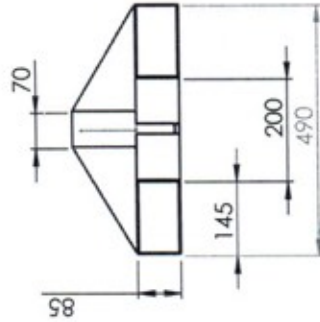
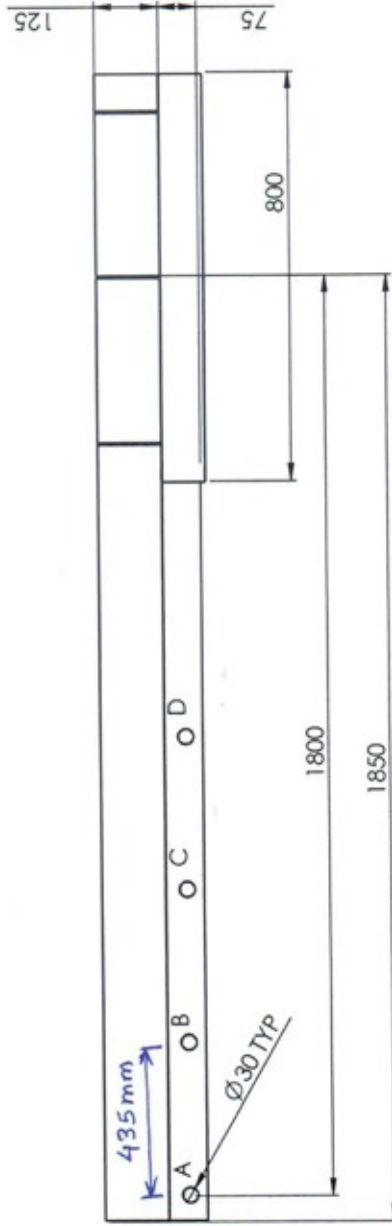


Yours faithfully,


Kaustubh Kulkarni, SrSM
For Chief General Manager
BAPL, Nagpur



LOCATION	A	B	C	D
CAPACITY IN KG	500	700	1000	1500



UNLESS OTHERWISE SPECIFIED: DIMENSIONS ARE IN MILLIMETERS SURFACE FINISH: TOLERANCES: LINEAR: ANGULAR:		FRISK		DO NOT SCALE DRAWING		REVISION	
DRAWN	CHECKED	APPROVED	MFG	DATE	SIGNATURE	DATE	SCALE: 1:1
MATERIAL: M.S. IS 2062				TITLE: FIX TYPE JIB ATTACHMENT			
DWG NO: BAPL/FA/101				SHEET NO: 2			
SCALE: 1:1				SHEET OF: 1			

NOTE: ALL DIMENSIONS ARE IN MM. ADDITIONAL RIBBING AND PATCHING SCHEME IS NOT SHOWN HERE.



2/2